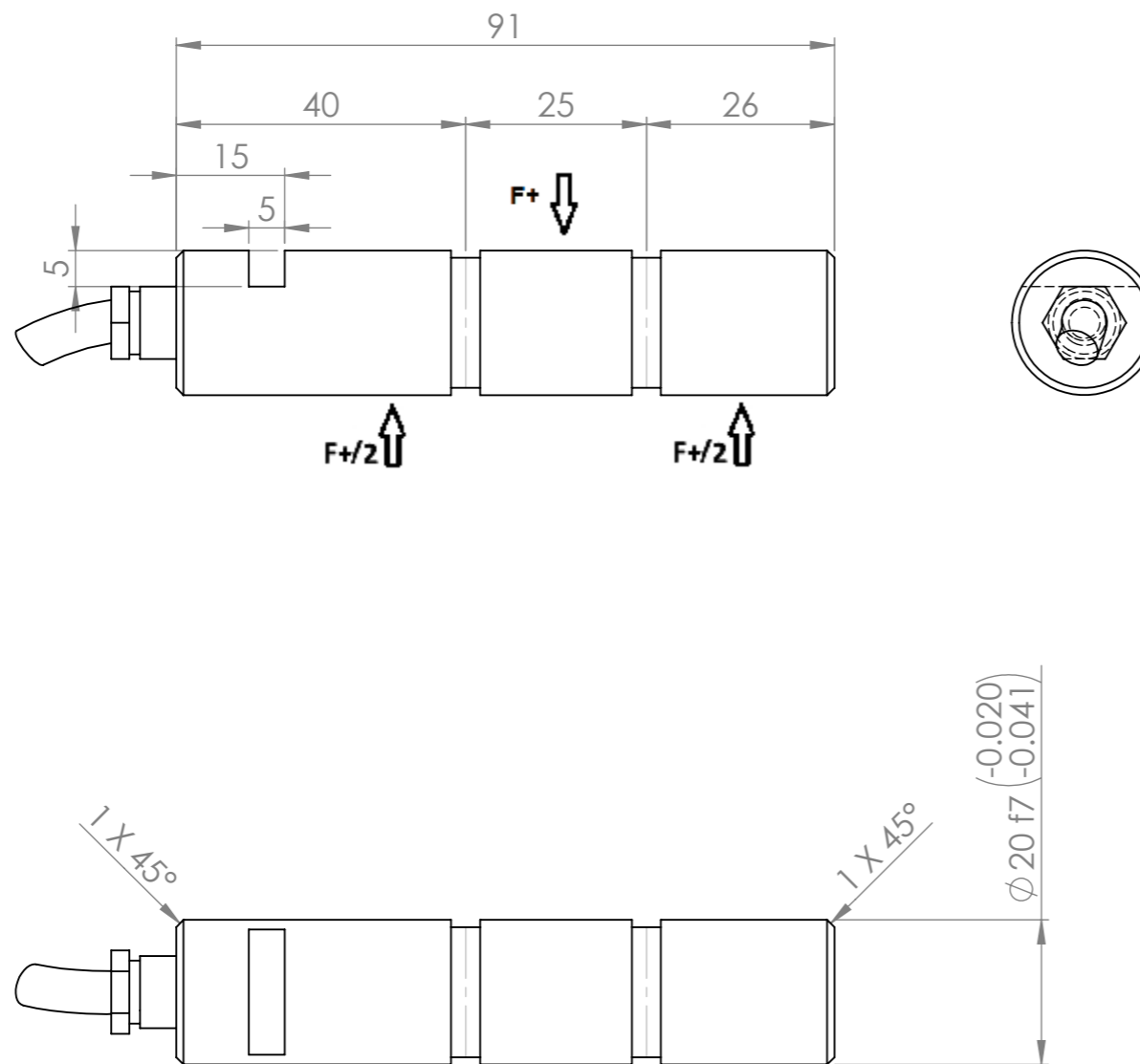
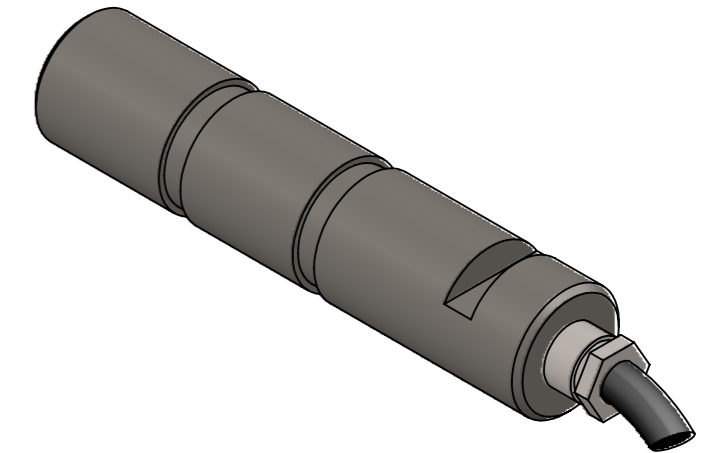


STAINLESS STEEL PIN 2t

Article code	PIN Z
Plan number	1283_V1
Description	
Origin Date	29/04/2021
Rev.1	04/05/2021



Electrical connection	
+ IN	GREEN
+ OUT	RED
- IN	BLACK
- OUT	WHITE
SHIELD	

Specifications	
Nominal load (Ln)	2t
Accuracy Class	0.5 %
Minimum dead load	0 % Ln
Service load	150 % Ln
Ultimate load limit	>350 % Ln
Total error	< ± 0.5 % Sn
Repeatability error	< ± 0.2 % Sn
Temperature effect on zero	< ± 0.02 % Sn/5°C
Temperature effect on sensitivity	< ± 0.02 % Sn/5°C
Creep error (30 min)	< ± 0.1 % Sn
Temperature compensation	-20 to +60 °C
Service temperature limits	-20 to +90 °C
Storage temperature	-40 to +95 °C
Nominal sensitivity	1 ± 0.25 % mV/V
Excitation voltage	3...15 V
Input impedance	400 ± 30 Ohm
Environmental Protection	IP66
Material	Stainless steel
Cable gland + Shielded cable 4 wires	5 m